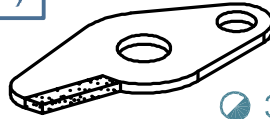


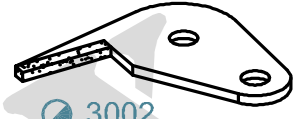
FOR PICANOL RAPIER

3000

3000 - PGW (TUCK IN SELVEDGE)

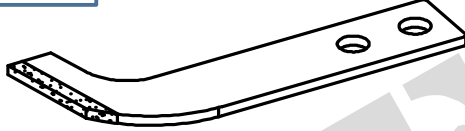


● 3001
B 71751



● 3002
B 71752

3010 - PGW (WEFT)

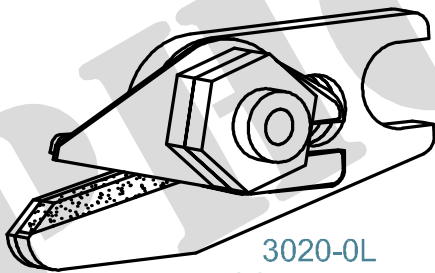


● 3011
B 71629

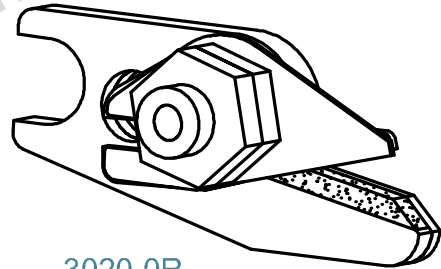


● 3012
B 71628

3020 - MA1 (FRINGE SELVEDGE RH & LH)

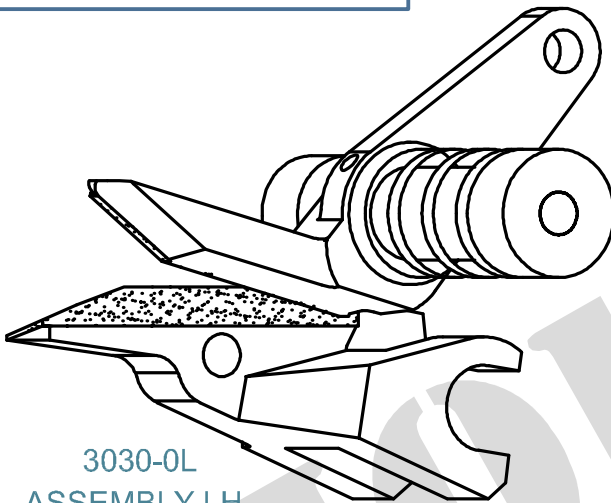


3020-0L
ASSEMBLY LH

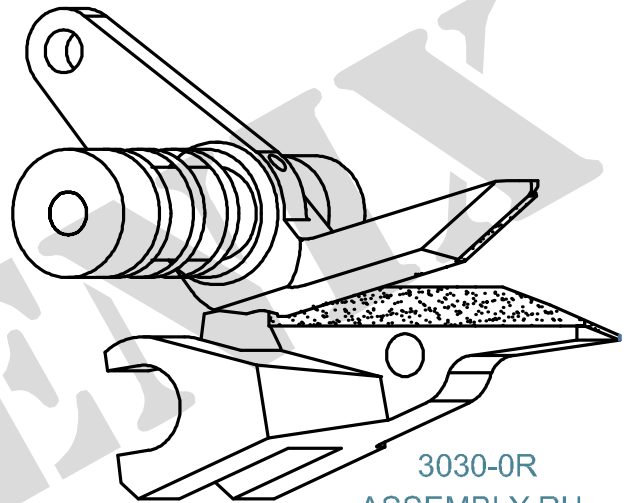


3020-0R
ASSEMBLY RH

3030 - PGW (SELVEDGE)

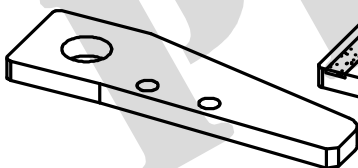


3030-0L
ASSEMBLY LH
BE 72217

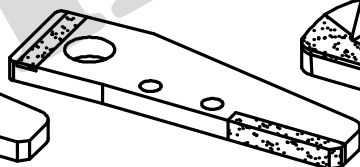


3030-0R
ASSEMBLY RH
BE 72218

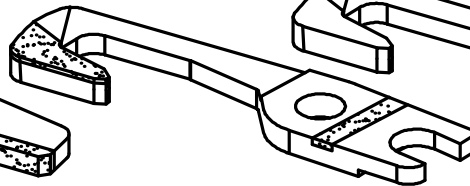
3040 - GAMMA (WEFT)



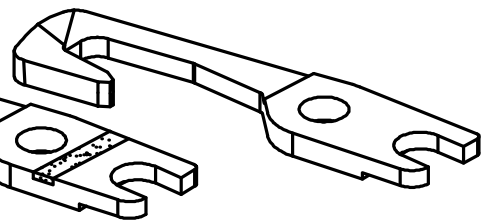
● 3042
BA 200879.02



● 3044



● 3043



● 3041
BA 200880.02

MATERIAL CODE : ● SOLID CARBIDE , ○ HSS , ◐ BRAZED CARBIDE , ⊙ TIN COATED